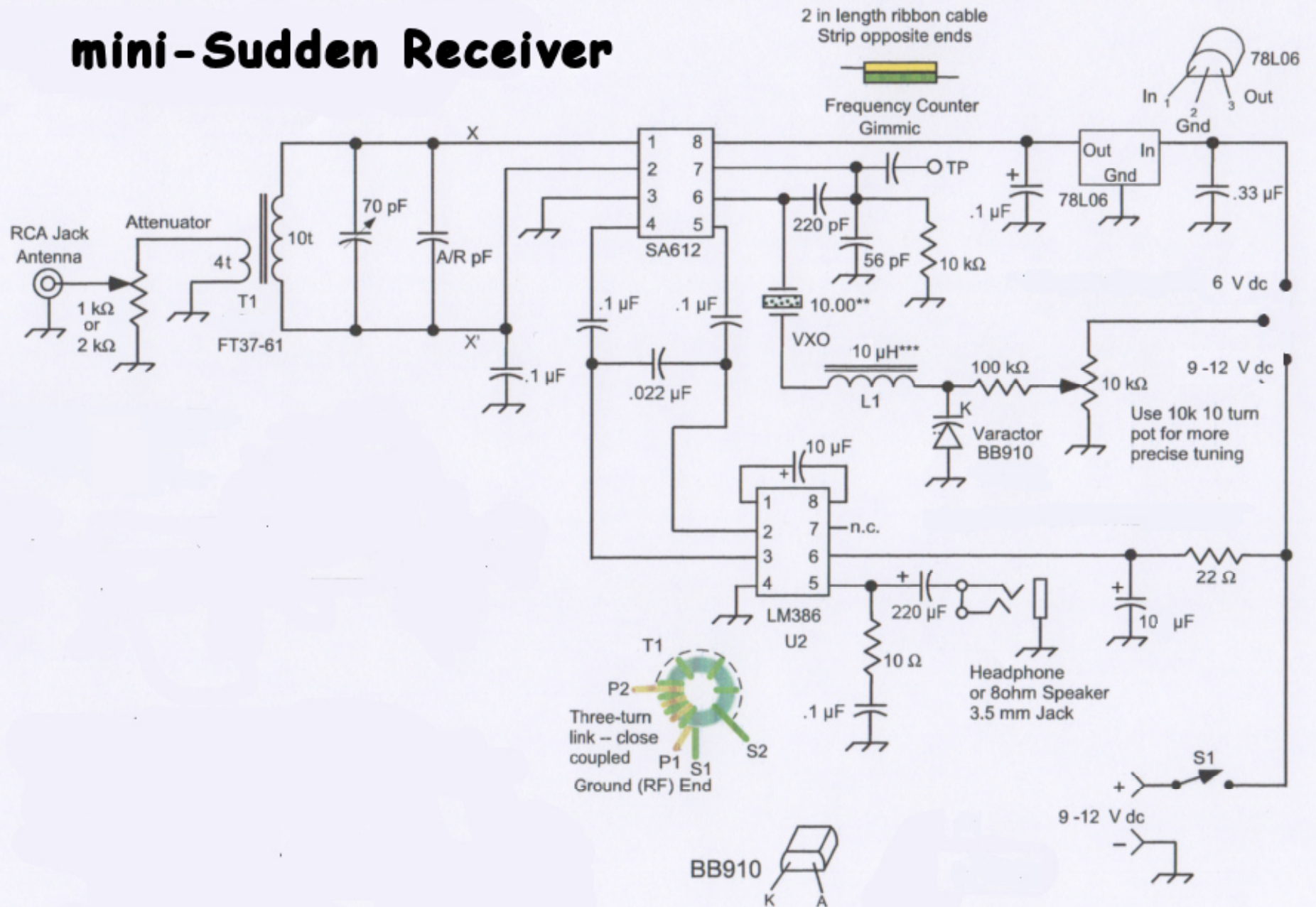


# mini-Sudden Receiver



**Notes:** Audio amplifier input levels and power

- o To avoid hearing damage and/or popping speakers:
- o At the highest gain, use care when turning the receiver on
- o Set attenuator and audio pots to minimum before applying power
- o Measured at 1 kHz using a 7.5 Ohm 5 Watt load resistor...
- o With 9V supply and gain at +70dB, 0.0015 Vpp audio input, output is about 350 mW
- o With 12V supply and gain at +70dB, 0.0012 Vpp audio input, output is about 800 mW