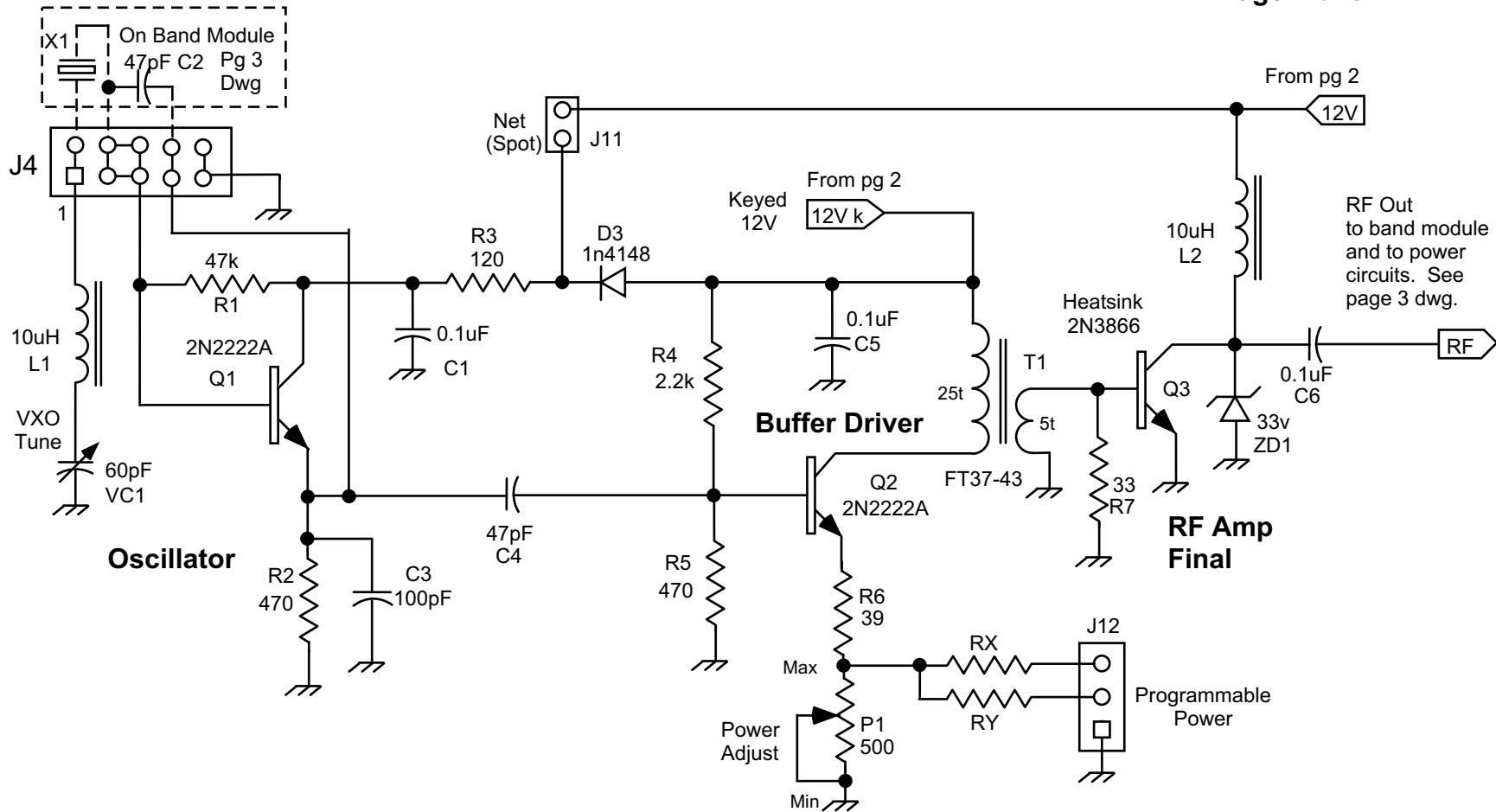


Super Tuna][+ Schematic

W5USJ drawing - 27 Mar 2011

Oscillator/Buffer/Amplifier — J4 viewed from the top of the board

Page 1 of 3



RF Out
to band module
and to power
circuits. See
page 3 dwg.