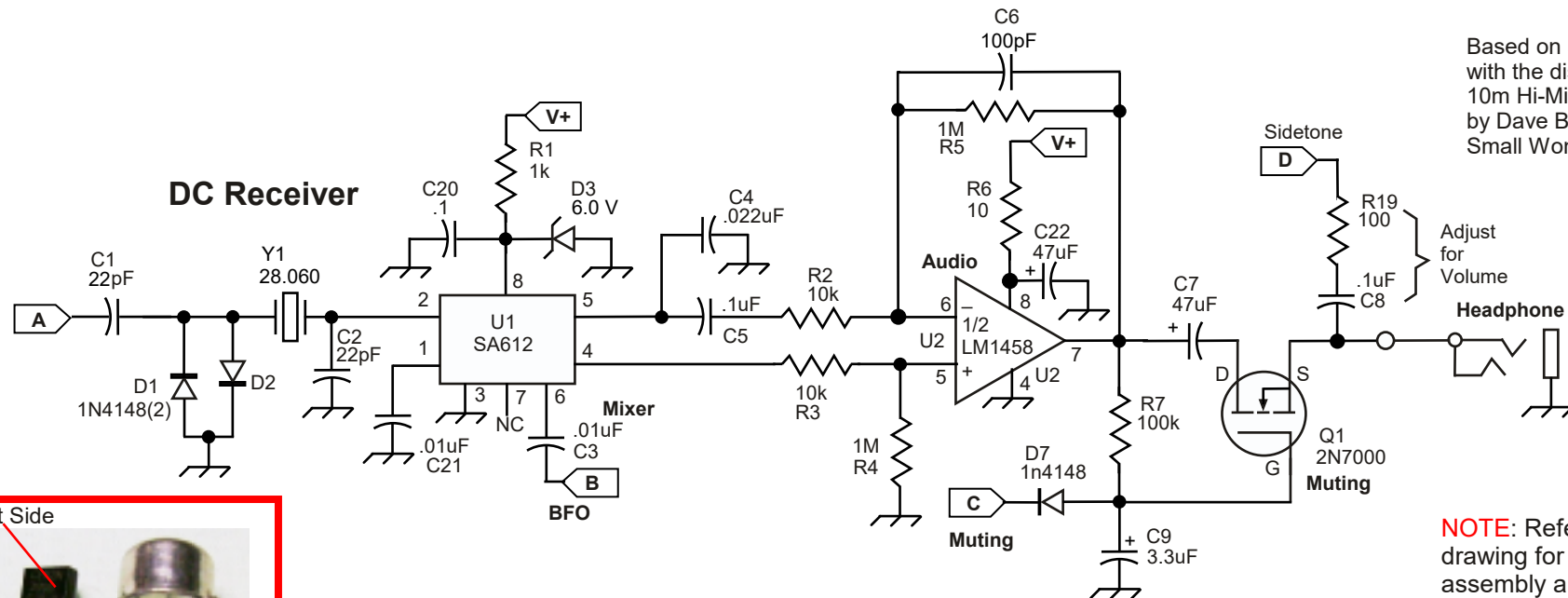
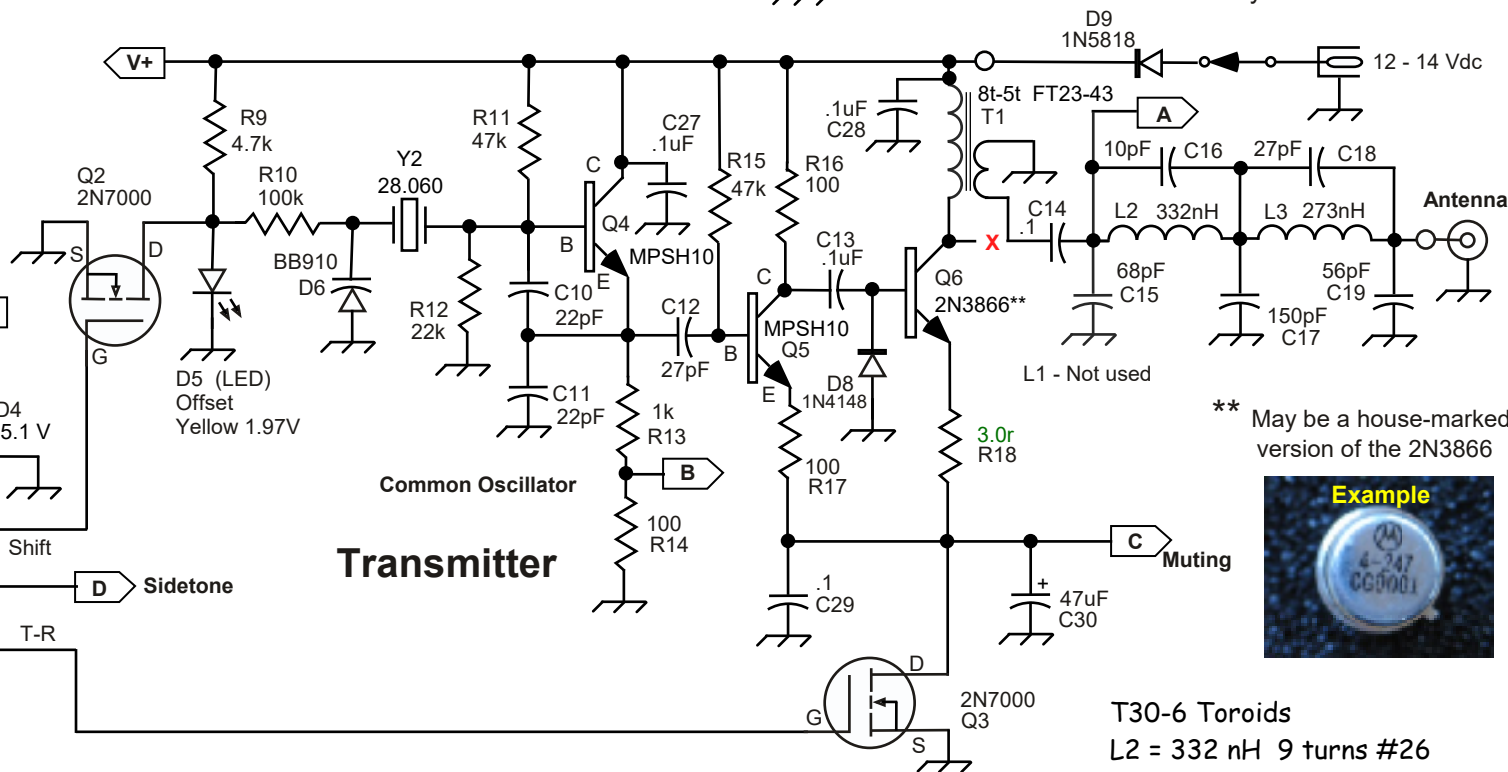
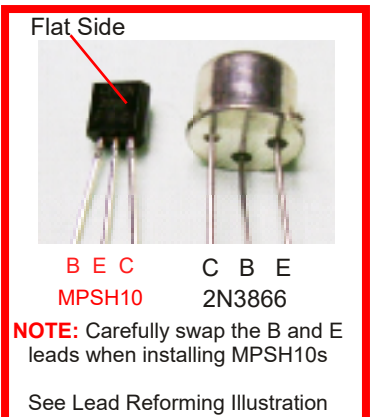


Based on schematics included with the discontinued 10m Hi-Mite kit by Dave Benson, K1SWL, Small Wonder Labs.



NOTE: Refer to P&E Mod drawing for T1 & LPF Filter assembly and installation.



** May be a house-marked version of the 2N3866



T30-6 Toroids
L2 = 332 nH 9 turns #26
L3 = 273 nH 8 turns #26
Spread or squeeze turns as needed
Strip insulation close to core