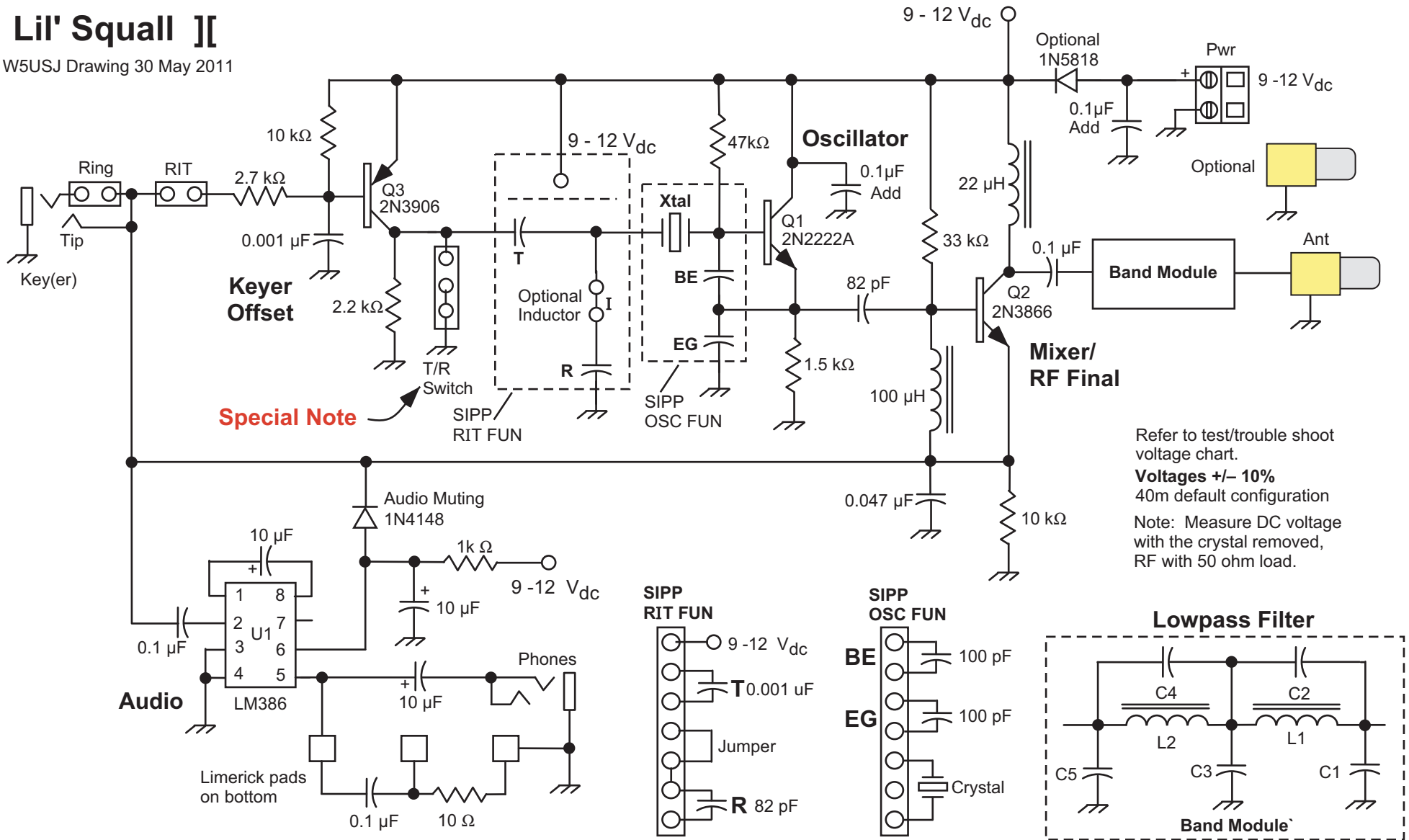
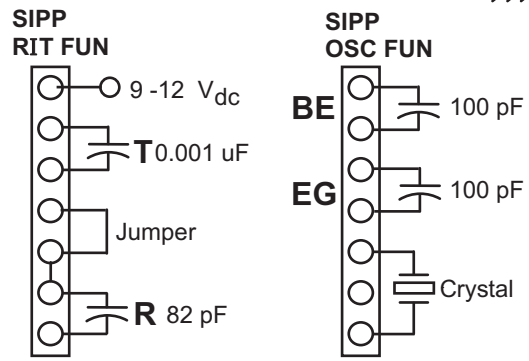


Lil' Squall]]

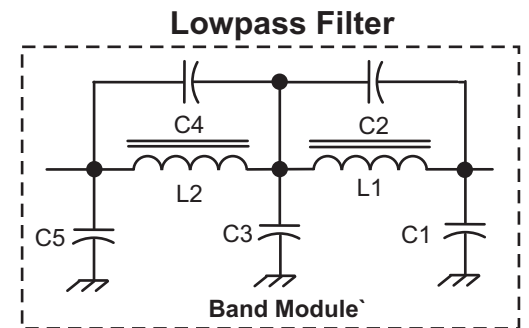
W5USJ Drawing 30 May 2011



Refer to test/trouble shoot voltage chart.
Voltages +/- 10%
 40m default configuration
 Note: Measure DC voltage with the crystal removed, RF with 50 ohm load.



Adjust **R** value for desired offset



5-Pole Filters: All capacitors pF, Kemet 5% C0G or equiv.

80 C5, 680 C4, 100 C3, 1200 C2, 220 C1, 680
L2/L1, 2.2uH 23t #24 T37-2

30 C5, 220 C4, 47 C3, 470 C2, 82 C1, 220
L2, 1.0uH 16t #24 T37-2 L1, 0.75uH 14t #24 T37-2

40 C5, 330 C4, 47 C3, 680 C2, 150 C1, 330
L2, 1.2uH 17t #24 T37-2 L1, 0.85uH 15t #24 T37-2

20 C5, 220 C4, 27 C3, 470 C2, 68 C1, 220
L2, 0.525uH 12t #24 T37-2 L1, 0.475uH 11t #24 T37-2