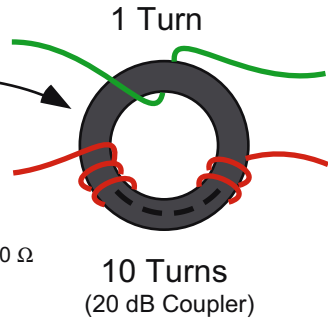
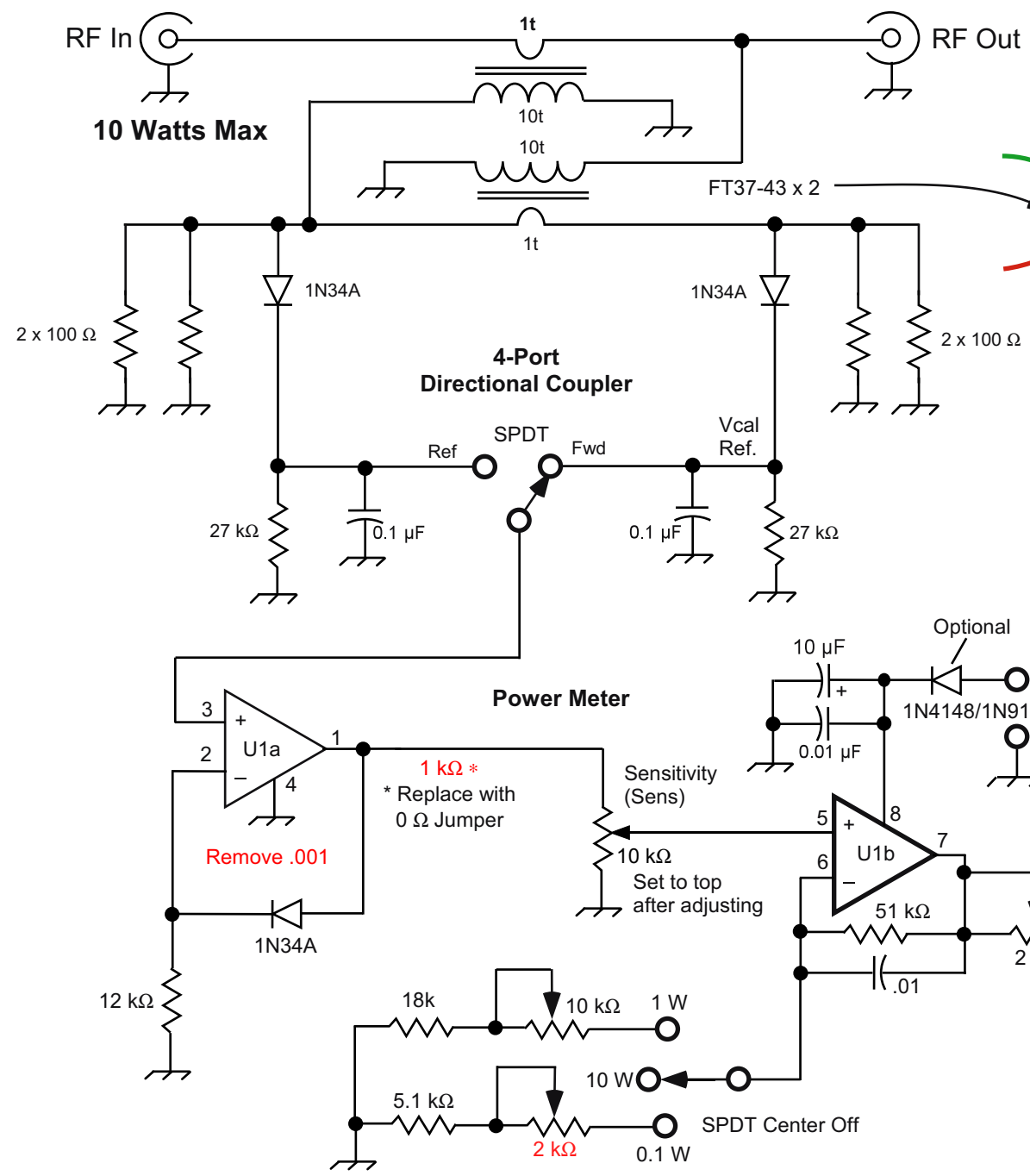


FDIM Buildathon 2018

Directional Coupler / Power Meter v.3b

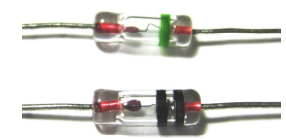
By: W5USJ 10 Jun 2018



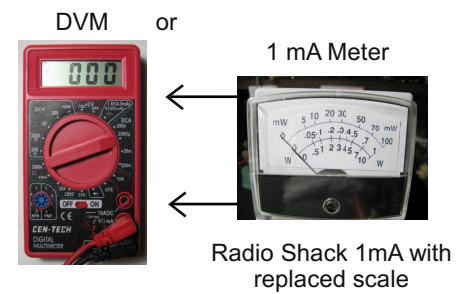
Adjustment Reference	
Voltage	Power
Vcal. x 1.0	10 watts
x 0.3162	1 w -10 dB
x 0.1	0.1 w -20 dB

See Instruction Document for Setup and Test Procedures

Use only 1N34A Point Contact diodes or equivalent, e.g. 1N60, 1N270, 1N295.



Set DVM to 2000uA Scale



Radio Shack 1mA with replaced scale