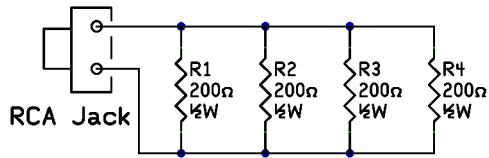
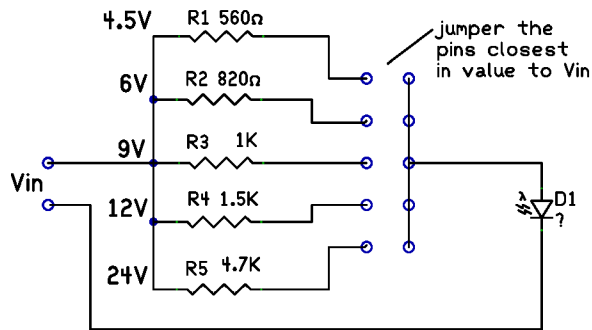


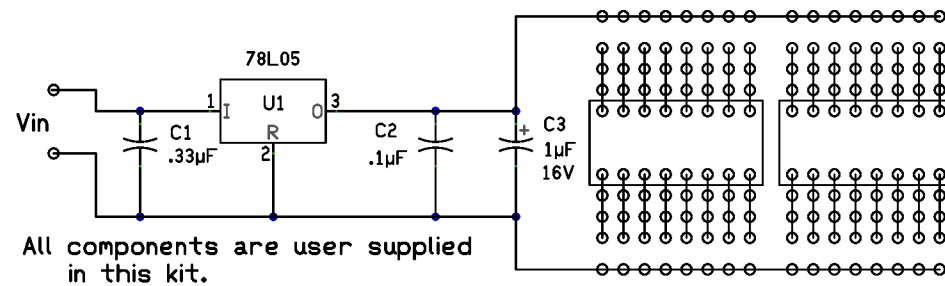
### MATCH-less Dummy Load



### MATCH-less Power On LED

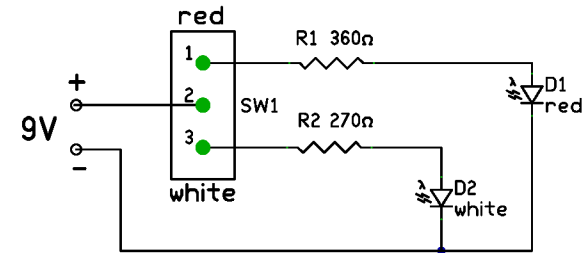


### MATCH-less IC Proto Board



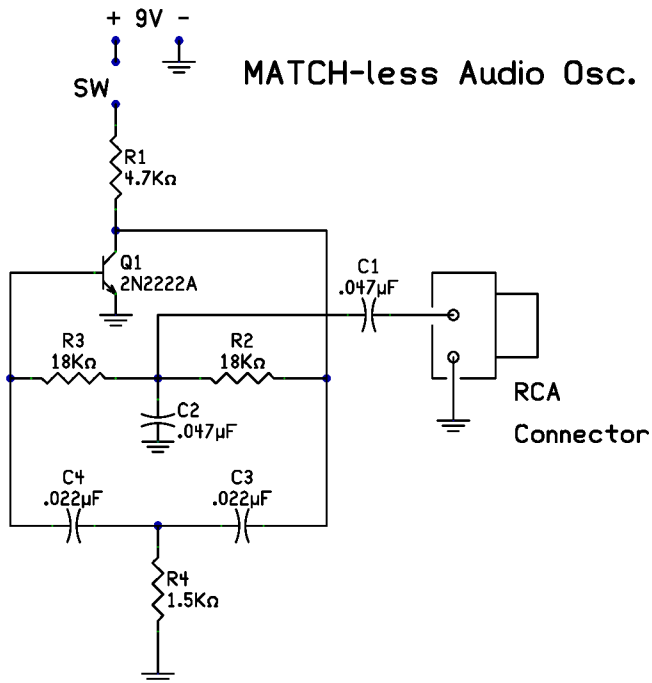
All components are user supplied in this kit.

### MATCH-less Operator LEDs



Use small pcb option jumper to select LED to light..

### MATCH-less Audio Osc.



Co:	QRPme		
Title:	MATCH-less Kit Schematics		
Board:	MATCH-less Boards	Revision:	A
Author:	W1REX	Size:	A
Date:	6/25/2010	Sheet	1 of 1