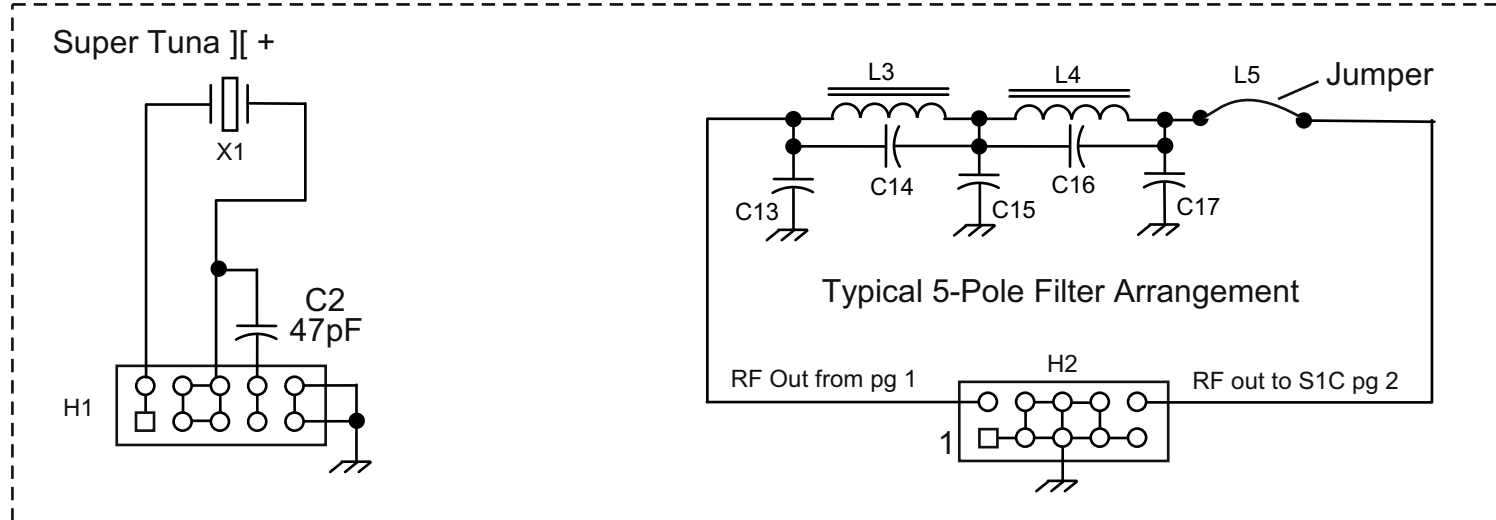


Band Modules ST][and ST][+ Schematics

W5USJ drawing 14 Jun 2012

From Page 3 of 3 of the schematic drawings

Band Module — H1/H2 viewed from the top of the board



Old Version Band Module Part Number ID markings on the ST][band module PCBs

