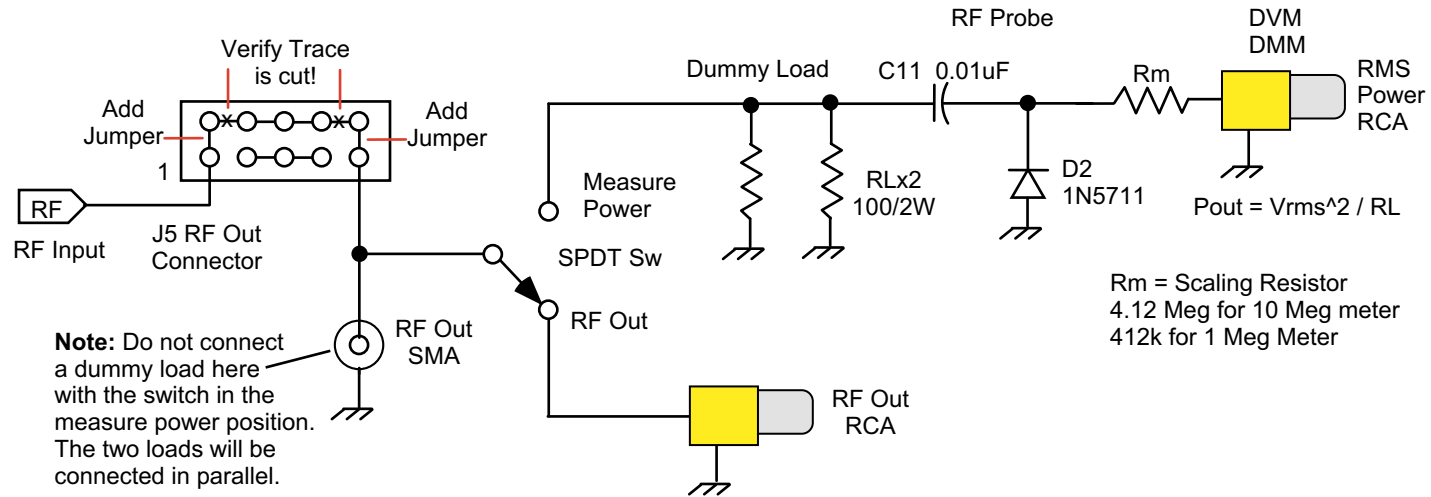


Super Tuna Schematic

RF Output/Power Measure — J5/J8 viewed from the top of the board

Page 2 of 3



Keying Control

