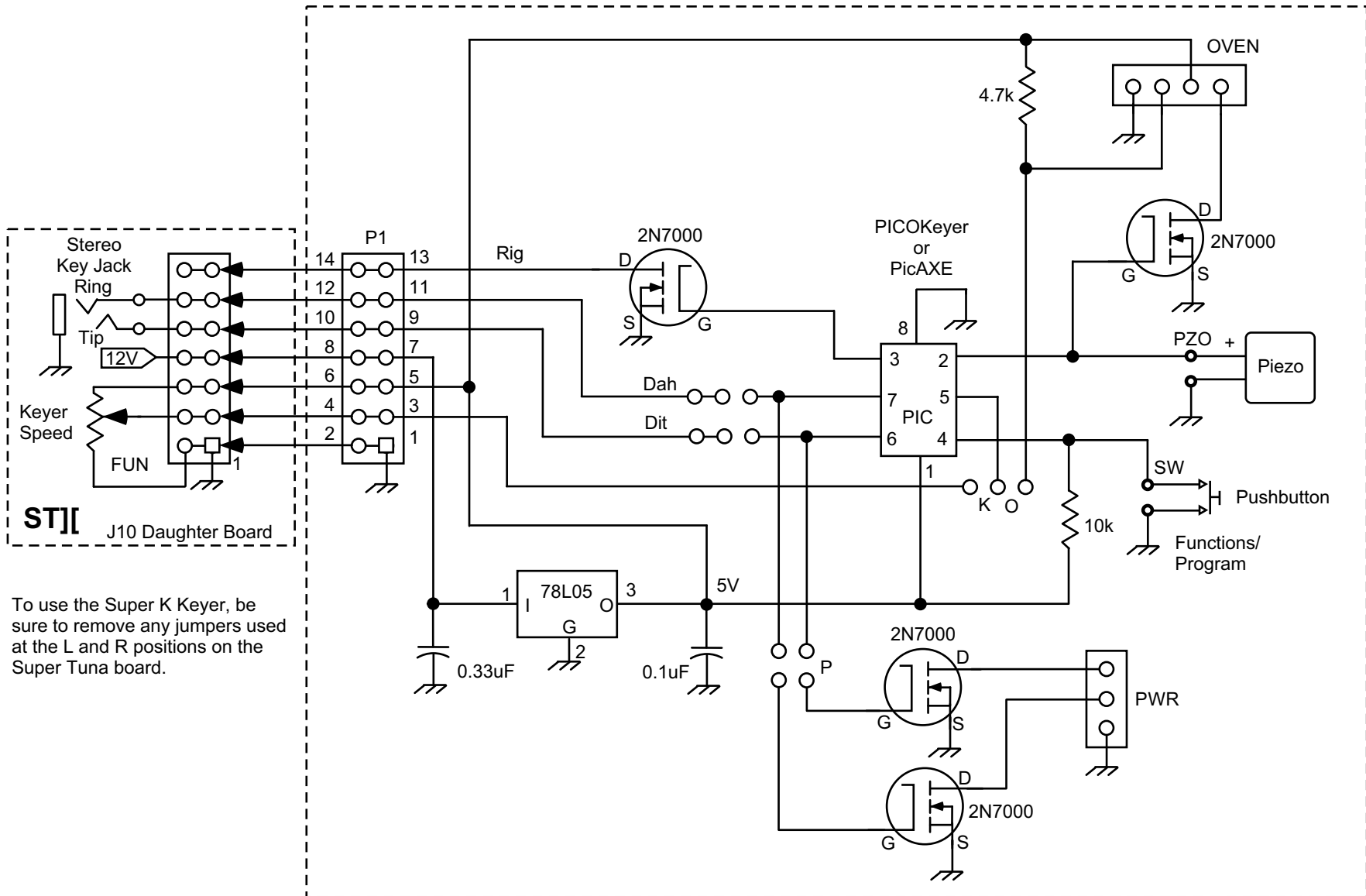


Super K Schematic

W5USJ drawing 26 Mar 2011



To use the Super K Keyer, be sure to remove any jumpers used at the L and R positions on the Super Tuna board.