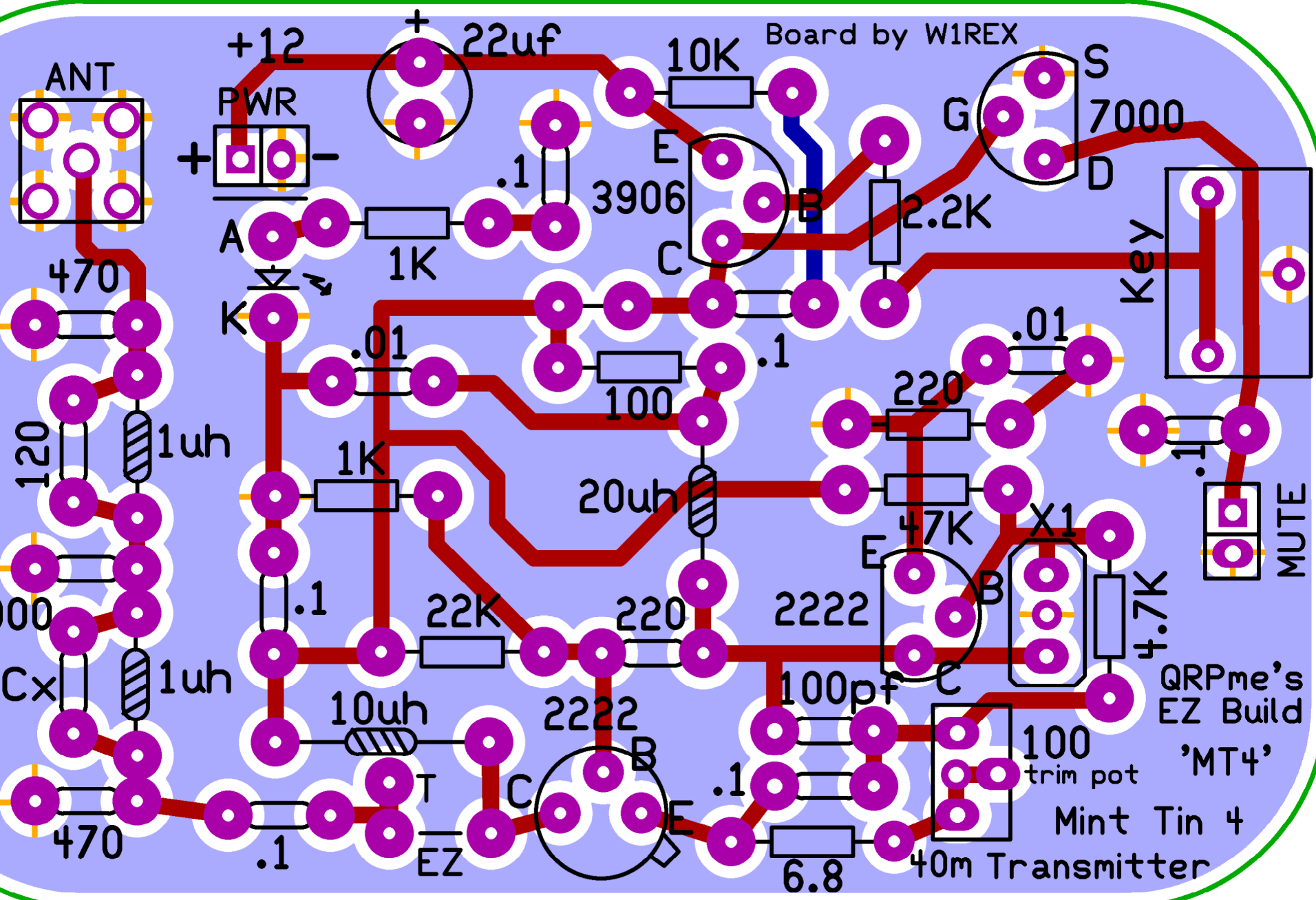


Design by W1REX & W5USJ

kit info @ www.QRPme.com

Board by W1REX



QRPme's EZ Build 'MT4'

Mint Tin 4