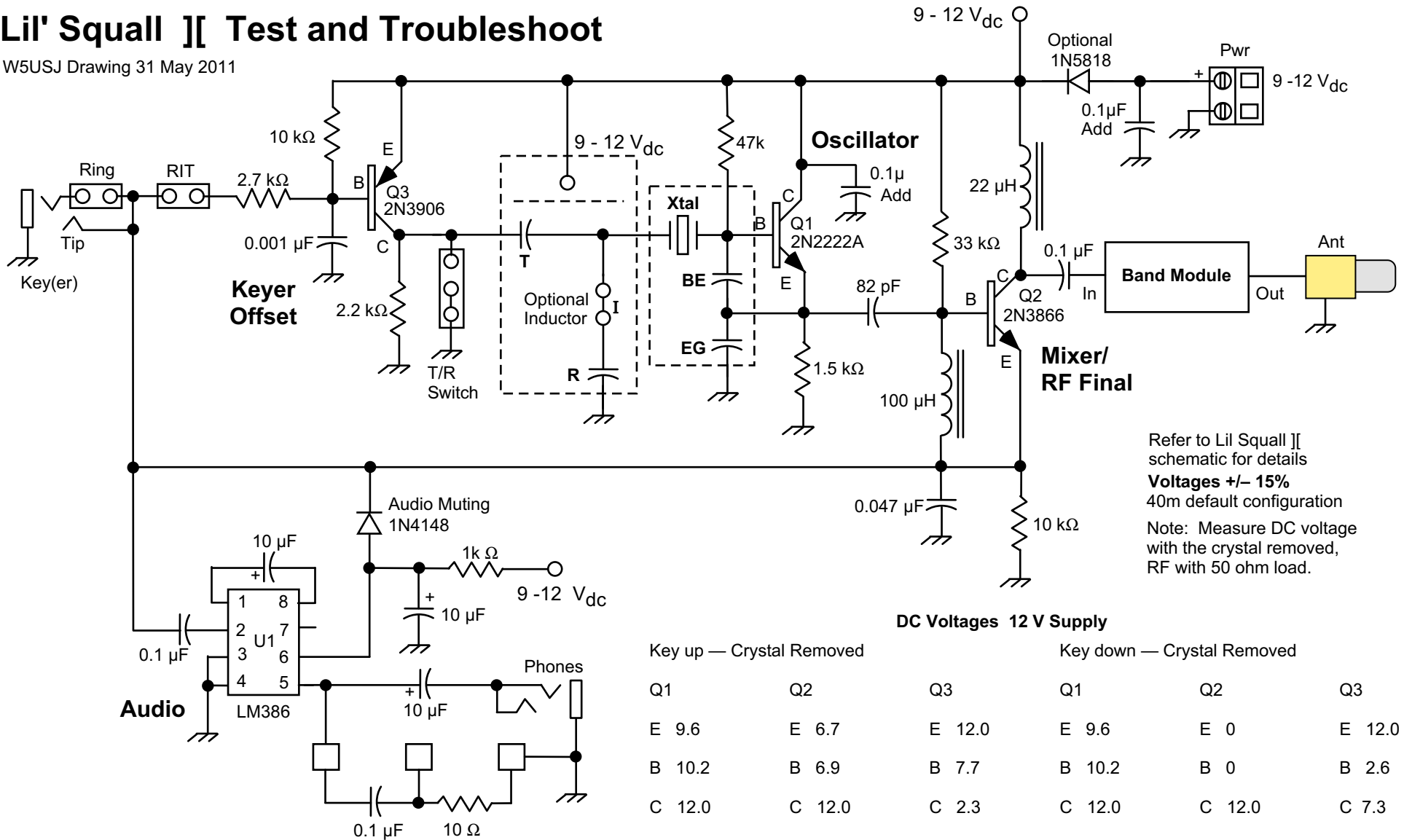


Lil' Squall][Test and Troubleshoot

W5USJ Drawing 31 May 2011



Refer to Lil' Squall][schematic for details
Voltages +/- 15%
 40m default configuration
 Note: Measure DC voltage with the crystal removed, RF with 50 ohm load.

DC Voltages 12 V Supply

Key up — Crystal Removed

Key down — Crystal Removed

Q1	Q2	Q3	Q1	Q2	Q3
E 9.6	E 6.7	E 12.0	E 9.6	E 0	E 12.0
B 10.2	B 6.9	B 7.7	B 10.2	B 0	B 2.6
C 12.0	C 12.0	C 2.3	C 12.0	C 12.0	C 7.3

Audio Voltages U1

Key up	Key down
1 1.22 5 3.2	1 0.32 5 0.15
2 0 6 7.1	2 0 6 0.75
3 0 7 N/C	3 0 7 N/C
4 0 8 1.22	4 0 8 0.32

RF Voltages: RF Probe (Equivalent V RMS)

key up (receive)		key down (transmit)		
Q1	Q2	Q1	Q2	LP Filter
E 2.3	E 0	E 3.0	E 0	In (C5) 5.3
B 5.0	B 1.2	B 7.0	B 1.2	Out (C1) 5.5
C 0	C 1.2	C 0	C 6.2	Dummy Load 50 Ω