

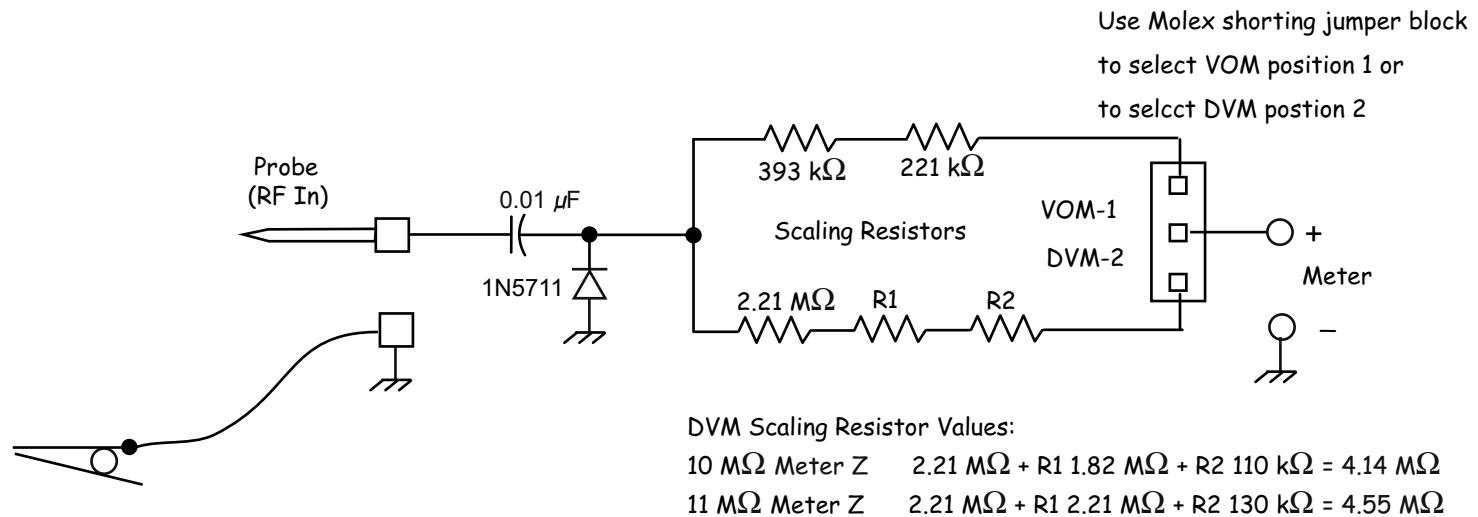
KotMC RF Probe

W5USJ Drawing 3 Aug 2012

Values added to 2.21 Meg ohm (2214) for either 10 or 11 Meg ohm meter impedance (Z)



$$\text{Meter Scaling Resistor Total } R = 0.414 \times \text{Meter } Z$$



1 % resistors

2.21 MΩ

1.82 MΩ

110 kΩ

130kΩ

393 kΩ

221 kΩ

Marked

2214F

brn gry red yel brn

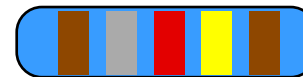
brn brn blk orn brn

brn orn blk orn brn

orn wht red orn brn

red red brn red brn

1 8 2 000 1%



Reads the same in both directions

1 3 0 000 1%

