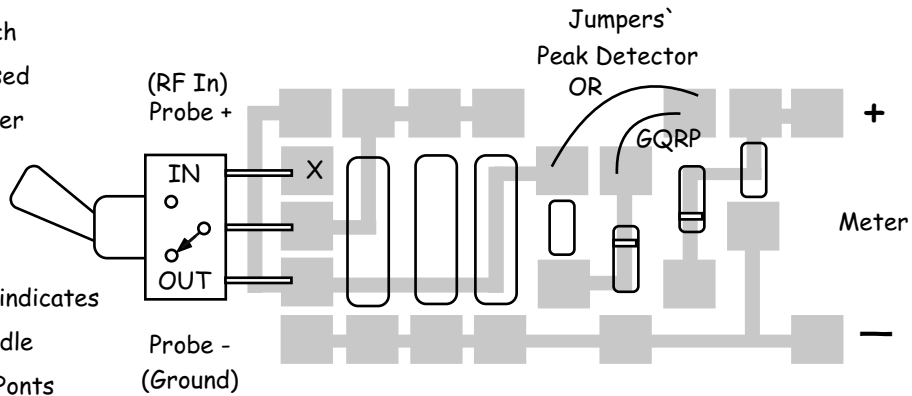


KotMC Diode/Power Probe

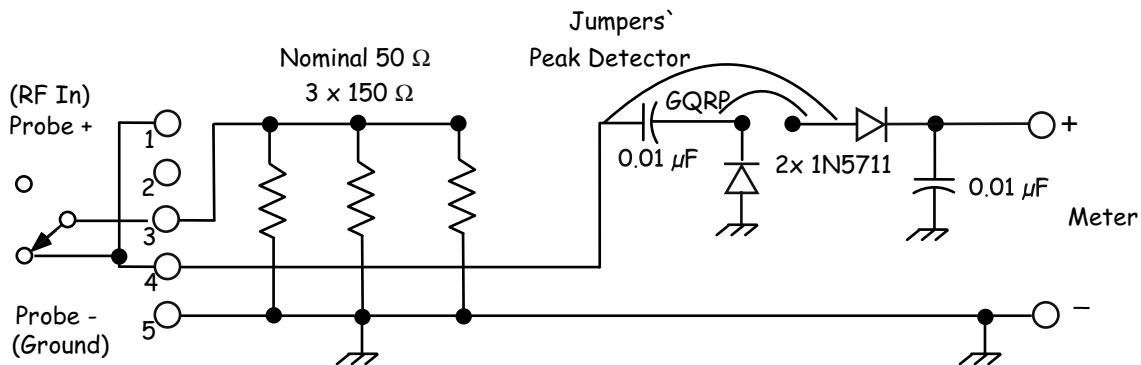
W5USJ Drawing 3 Aug 2012

Note: the top switch terminal X is not used
Switch may be either SPDT or SPST

IN/OUT indicates switch handle position. Ponto toward closed contacts



Use jumpers as needed for the GQRP type detector or the traditional peak detector. Not Both



Note: the dummy load section can be switched in or out as needed by SW1

