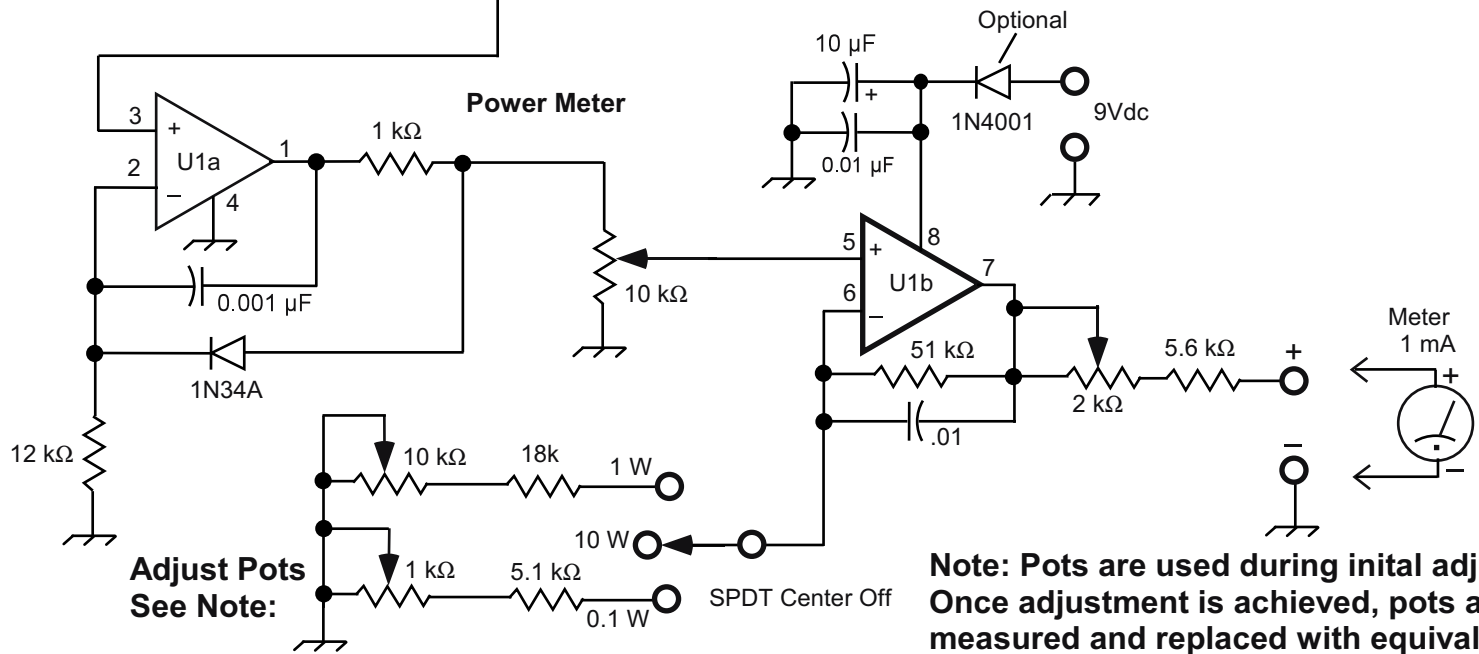


FDIM Buildathon 2018  
 Directional Coupler / Power Meter v.1a  
 By: W5USJ 15 May 2018



**Note: Pots are used during initial adjustment  
 Once adjustment is achieved, pots are removed,  
 measured and replaced with equivalent resistors.**