

Drill tape data

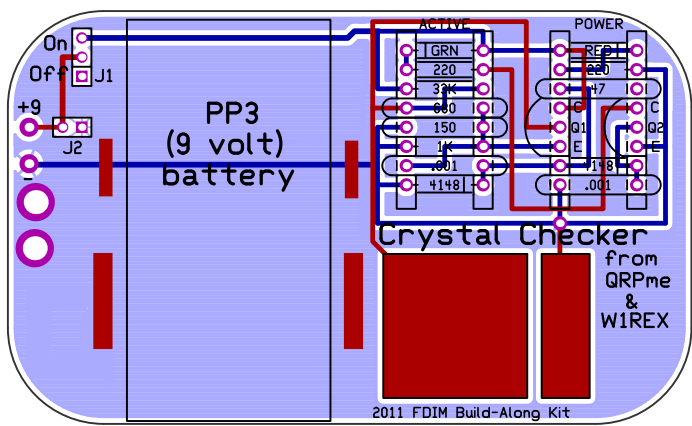
Tool Code	Hole Size	Sym bol	Hole Count

Board type: FR4  
 Board thickness: .062"  
 Copper weight: 1oz  
 Layer count: 2

All dimensions are in inches.

Board should have black solder mask over bare copper (SMOBC) with white silk screening on top.

View is from the top side of the board.



- 220 ohm Resistor Qty=2
- 1K Resistor
- 33K Resistor
- 47pf Capacitor
- 150pf Capacitor
- 680pf Capacitor
- .001uf Capacitor Qty=2
- 1N4148 Diode Qty=2
- Green LED
- Red LED
- 2N2222A Transistor Qty=2
- 1x8x.1" SIP female Header Qty=4 ( FDIM versions only)
- 1x3x.1" SIP male Header
- 1x2x.1" female Shorting Plug
- 1x1x.1" SIP female socket (FDIM versions only)
- printed circuit board
- 9 volt Battery Snap

Co:	QRPme PO Box 160 Limerick, Me. 04048		
Title:	2011 FDIM Build-Along Kit		
Board:	Crystal Checker	Revision:	A
Drawn:	W1REX	Size:	A
Date:	April 10, 2011	Sheet	1 of 1