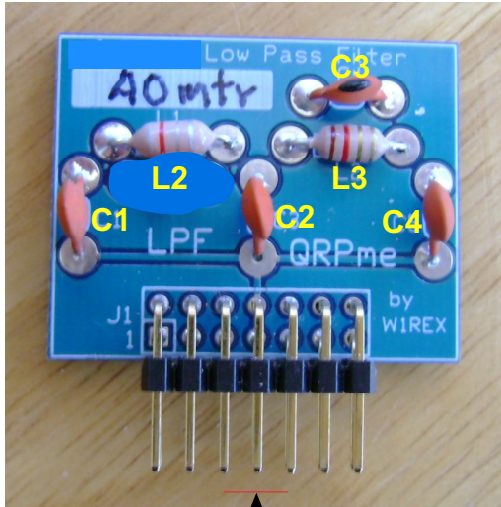


# Beaconator ][ Band Module

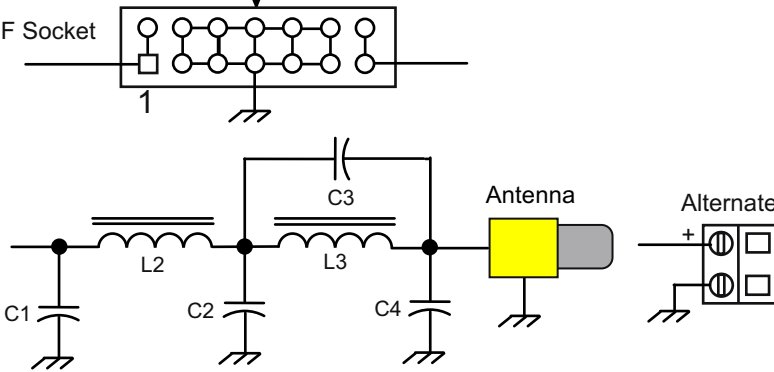
W5USJ Drawing 12 JUN 2013

Band Module



BEACONATOR BAND DATA								
Band	L1	C1	L2	C2	L3	C3	C4	Cx
80m	22uh	470pf	2.2uh	1000pf	2.2uh	240pf	470pf	220pf
40m	10uh	390pf	1.0uf	820pF	1.0uf	120pf	390pf	100pf
30m	6.8uh	330pf	.68uh	680pf	.68uh	82pf	390pf	100pf
20m	4.7uh	220pf	.47uh	470pf	.47uh	62pf	220pf	100pf
17m	3.3uh	150pF	.33uh	330pF	.33uh	56pF	150pF	56pf

Beaconator LPF Socket



Lowpass Filter

Note: Use on-board parts for filters  
**OR** band modules; not both.

Refer to chart on PCB for the  
capacitor and inductor values.