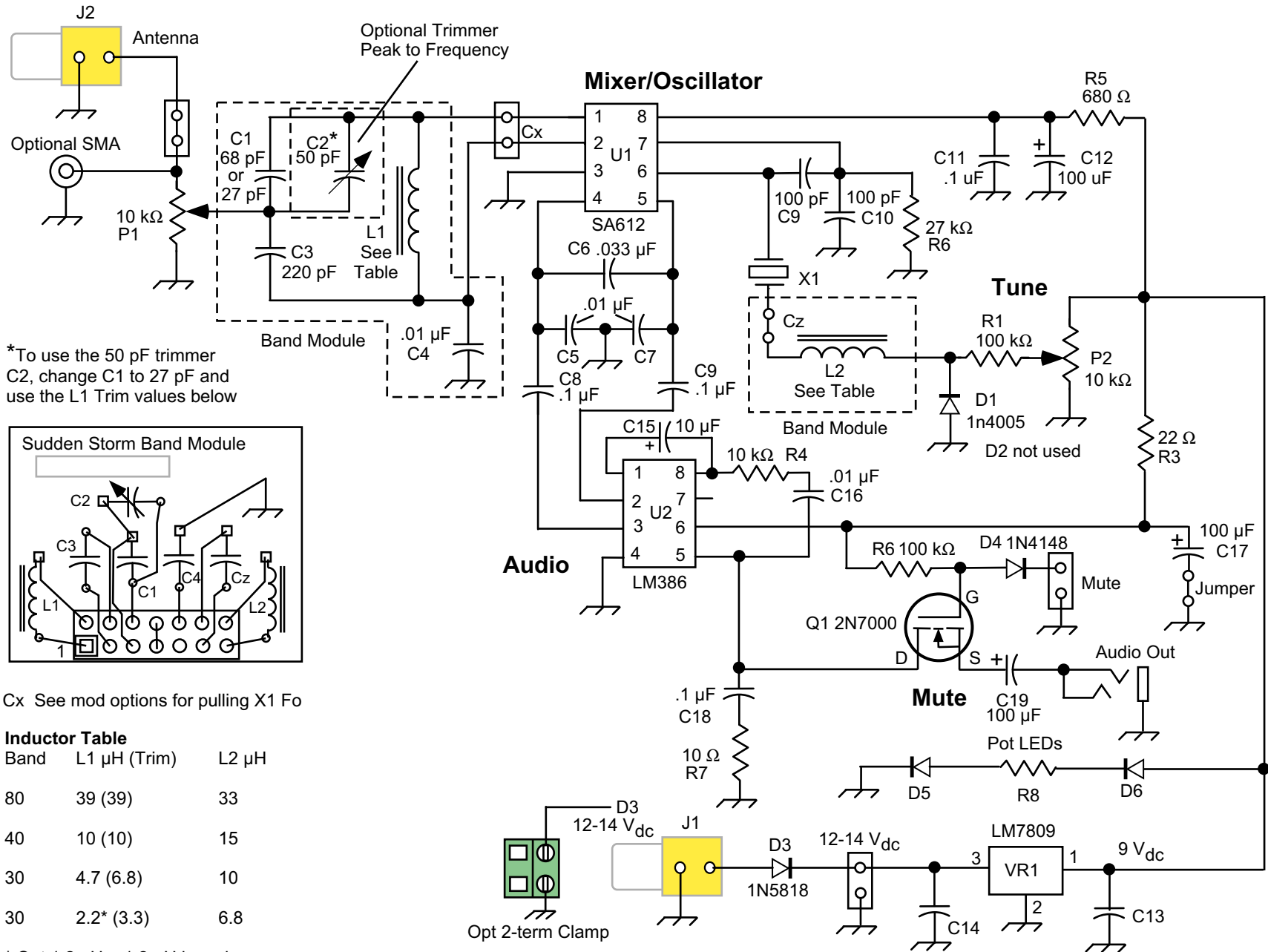
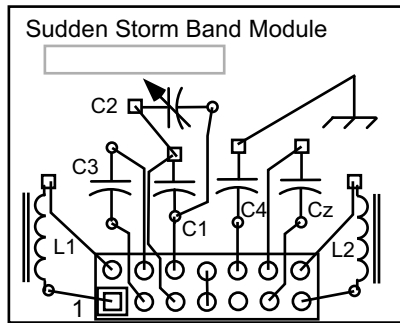


# Sudden Storm Receiver – 3

W5USJ Drawing 1 Apr 2011



\*To use the 50 pF trimmer C2, change C1 to 27 pF and use the L1 Trim values below



Cx See mod options for pulling X1 Fo

### Inductor Table

| Band | L1 µH (Trim) | L2 µH |
|------|--------------|-------|
| 80   | 39 (39)      | 33    |
| 40   | 10 (10)      | 15    |
| 30   | 4.7 (6.8)    | 10    |
| 30   | 2.2* (3.3)   | 6.8   |

\* Opt 1.2 µH + 1.2 µH in series